

FRAMED OPENING DETAILS

IG0050 - LINER JAMB DETAIL

IG0080 - LINER HEAD DETAIL AT CEE - ZEE

IG0082 - LINER HEAD DETAIL AT EAVE STRUT

IG0083 - LINER HEAD DETAIL AT EAVE PURLIN

IG0084 - LINER HEAD DETAIL AT EAVE PURLIN

IG0085 - LINER HEAD DETAIL - ROLL UP DOOR

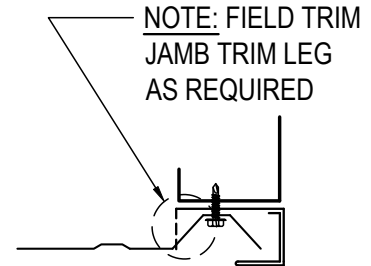
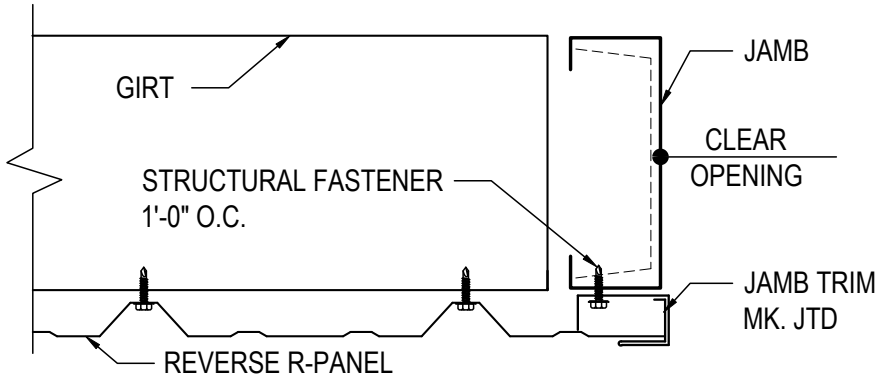
IG0090 - LINER HEAD DETAIL - WALKDOOR OR WINDOW FRAMED OPENING

IG0100 - LINER SILL DETAIL - WINDOW FRAMED OPENING

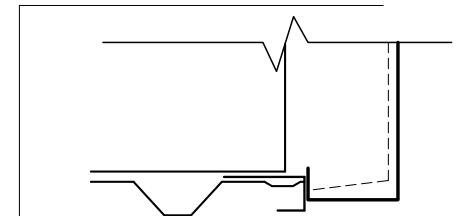
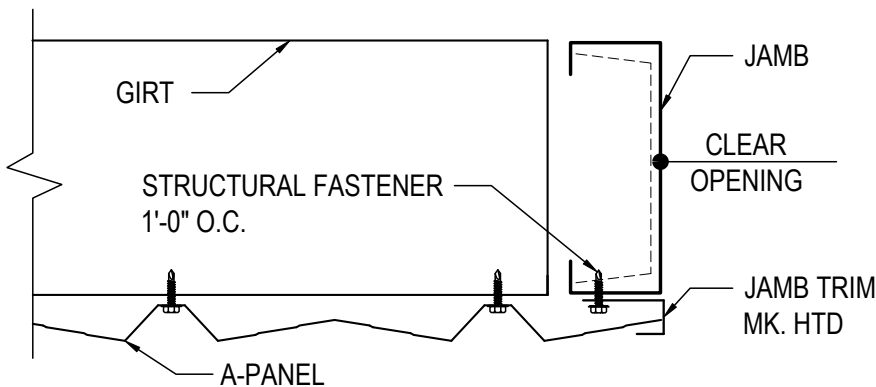
IG0120 - LINER ROOF FRAMED OPENING

IG0050 - LINER JAMB DETAIL

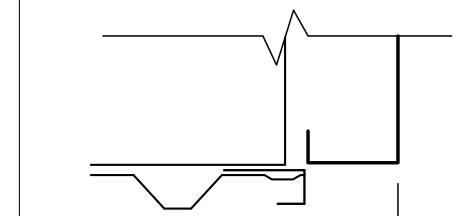
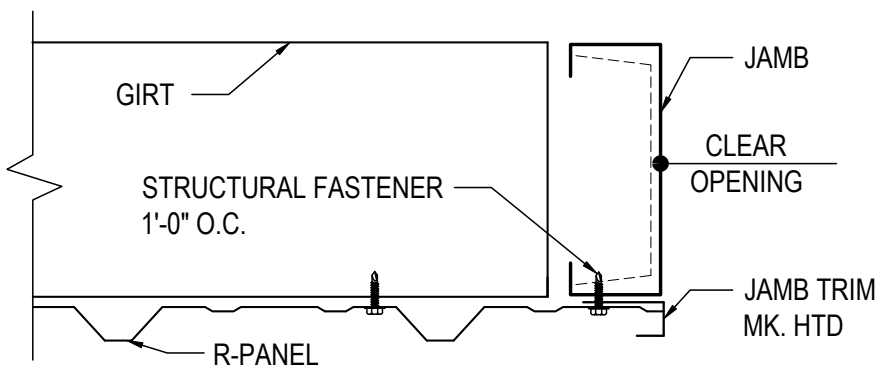
[Download the DWG file by clicking here.](#)



ALTERNATE DETAIL



DEEP JAMB
SHALLOW GIRTS



AS REQ'D FOR
DOOR TRACK

CLEARANCE FOR DOOR TRACK
TRACK BY OTHERS

FASTENER KEY

- H1040 - STRUCTURAL FASTENERS
- H1060 - STITCH FASTENERS

LINER JAMB DETAIL

LEFT HAND SHOWN, RIGHT HAND SIMILAR

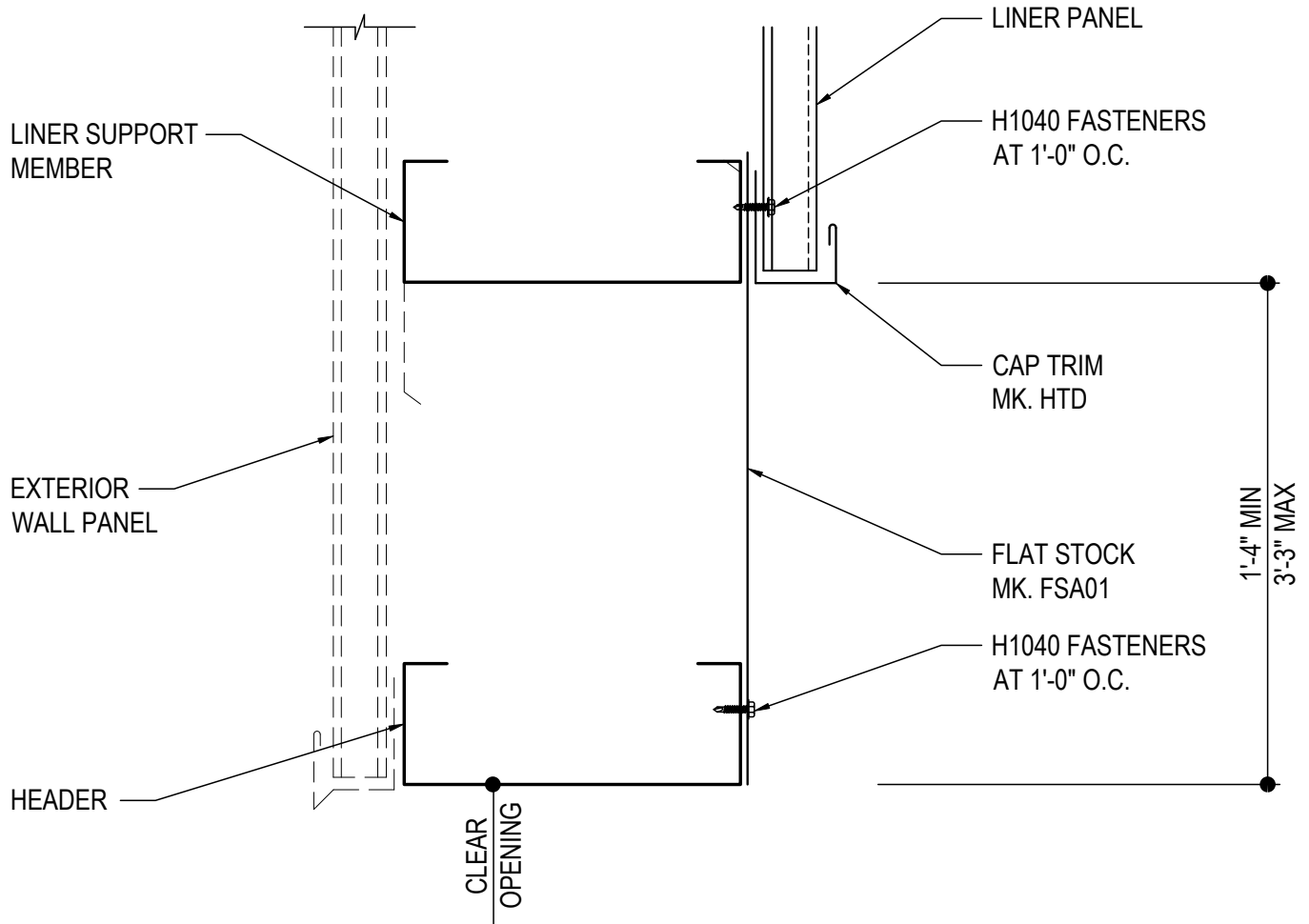
IG0050

Detailer Notes:

- 1) N/A

IG0080 - LINER HEAD DETAIL AT CEE - ZEE

[Download the DWG file by clicking here.](#)



LINER HEAD DETAIL

ALL STANDARD WALL PANEL TYPES
FOR VERTICAL LIFT AND OVERHEAD DOORS

IG0080

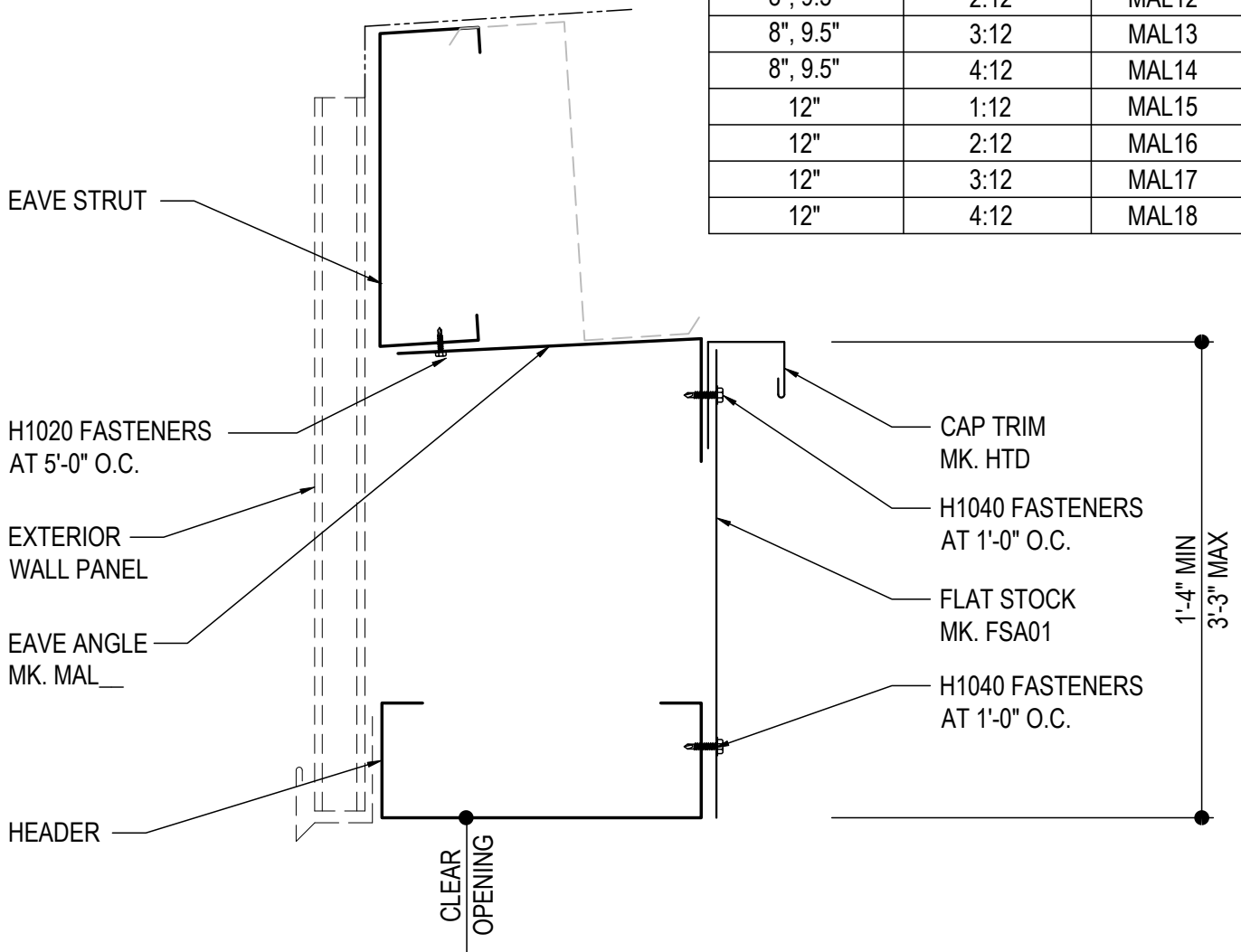
Detailer Notes:

- 1) USE THIS DETAIL FOR VERTICAL LIFT AND OVERHEAD DOORS ONLY. USE DETAIL IG0085 FOR ROLL UP DOORS
- 2) VERIFY JAMB TRIM SPANS TO HEADER TRIM (HTD).

IG0082 - LINER HEAD DETAIL AT EAVE STRUT

[Download the DWG file by clicking here.](#)

GIRT DEPTH	ROOF SLOPE	EAVE ANGLE
8", 9.5"	1:12	MAL01
8", 9.5"	2:12	MAL12
8", 9.5"	3:12	MAL13
8", 9.5"	4:12	MAL14
12"	1:12	MAL15
12"	2:12	MAL16
12"	3:12	MAL17
12"	4:12	MAL18



LINER JAMB DETAIL

FOR VERTICAL LIFT AND OVERHEAD DOORS

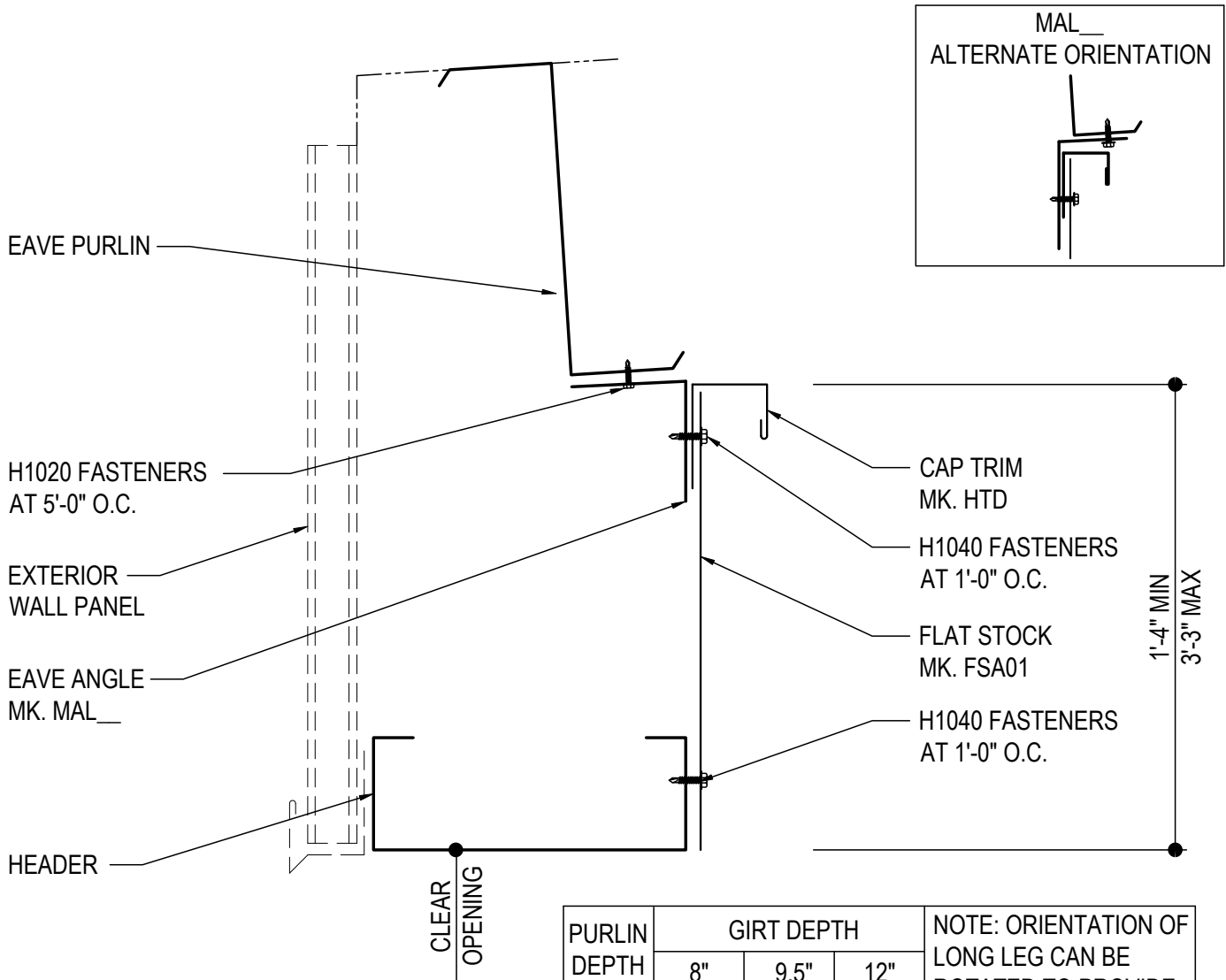
IG0082

Detailer Notes:

- 1) USE THIS DETAIL FOR VERTICAL LIFT AND OVERHEAD DOORS ONLY. USE DETAIL IG0085 FOR ROLL UP DOORS

IG0083 - LINER HEAD DETAIL - AT EAVE PURLIN 5:12 ONLY

[Download the DWG file by clicking here.](#)



PURLIN DEPTH	GIRT DEPTH			NOTE: ORIENTATION OF LONG LEG CAN BE ROTATED TO PROVIDE A BETTER FIT TO BOTTOM LEG OF PURLIN.
	8"	9.5"	12"	
8"	MAL19	MAL20	MAL20	
9.5"	MAL19	MAL19	MAL20	
12"	MAL19	MAL19	MAL20	

LINER JAMB DETAIL

FOR VERTICAL LIFT AND OVERHEAD DOORS

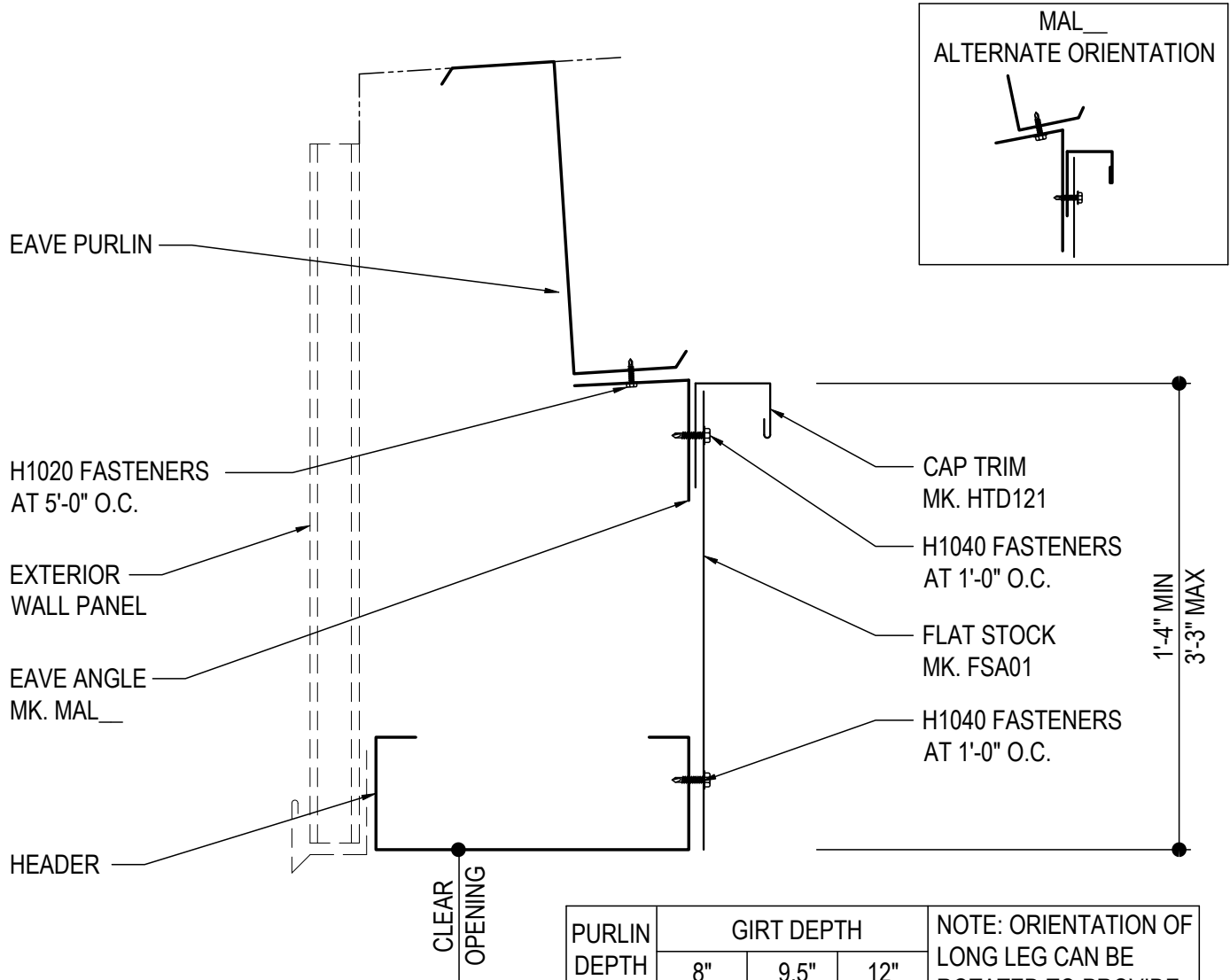
IG0083

Detailer Notes:

- 1) USE THIS DETAIL FOR VERTICAL LIFT AND OVERHEAD DOORS ONLY. USE DETAIL IG0085 FOR ROLL UP DOORS

IG0084 - LINER HEAD DETAIL - AT EAVE PURLIN 6:12 ONLY

[Download the DWG file by clicking here.](#)



PURLIN DEPTH	GIRT DEPTH			NOTE: ORIENTATION OF LONG LEG CAN BE ROTATED TO PROVIDE A BETTER FIT TO BOTTOM LEG OF PURLIN.
	8"	9.5"	12"	
8"	MAL21	MAL22	MAL22	
9.5"	MAL21	MAL21	MAL22	
12"	MAL21	MAL21	MAL22	

LINER JAMB DETAIL

FOR VERTICAL LIFT AND OVERHEAD DOORS

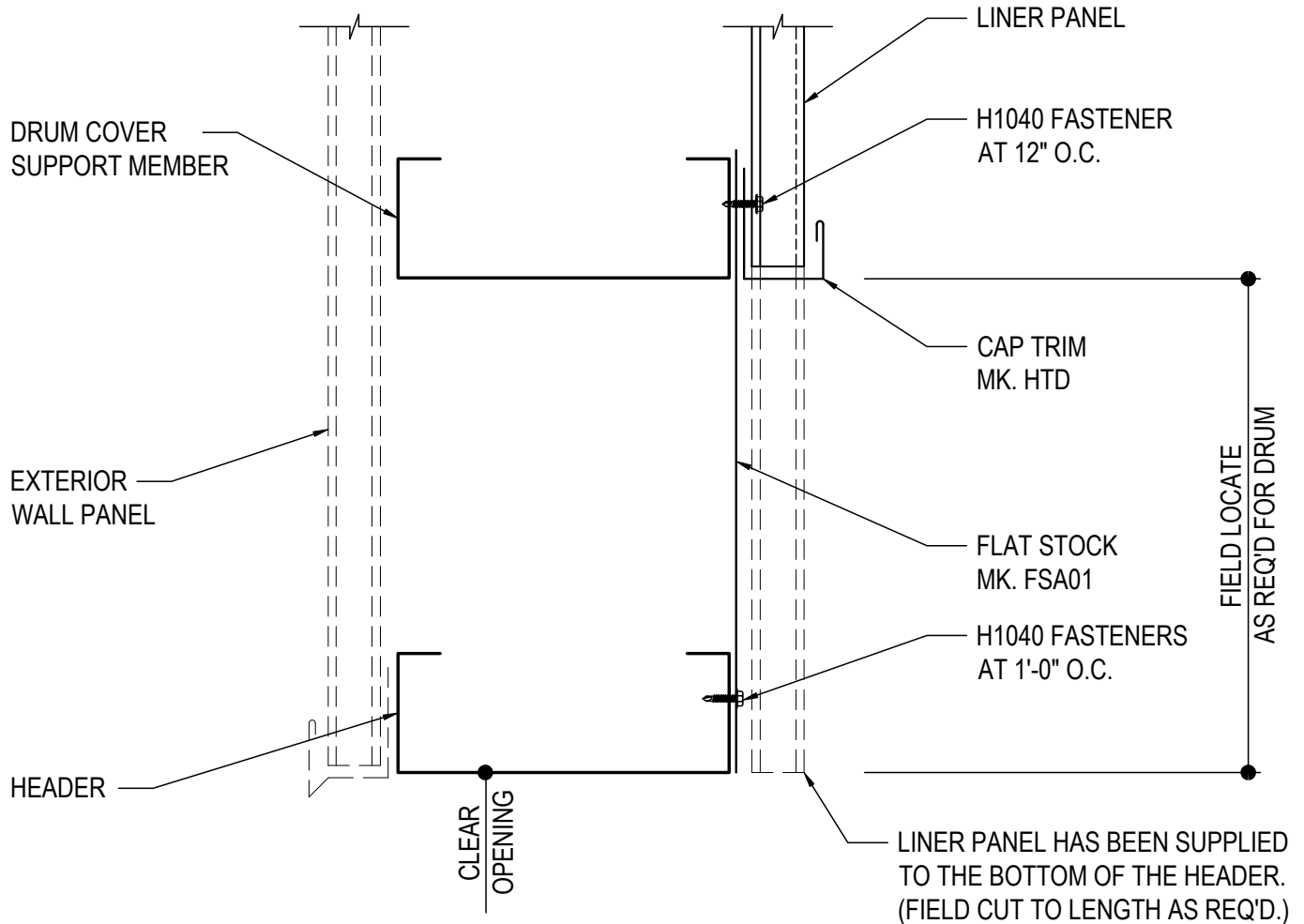
IG0084

Detailer Notes:

- 1) USE THIS DETAIL FOR VERTICAL LIFT AND OVERHEAD DOORS ONLY. USE DETAIL IG0085 FOR ROLL UP DOORS

IG0085 - LINER HEAD DETAIL - ROLL UP DOOR

[Download the DWG file by clicking here.](#)



LINER HEAD DETAIL

ALL STANDARD PANEL TYPES
FOR ROLL UP DOORS

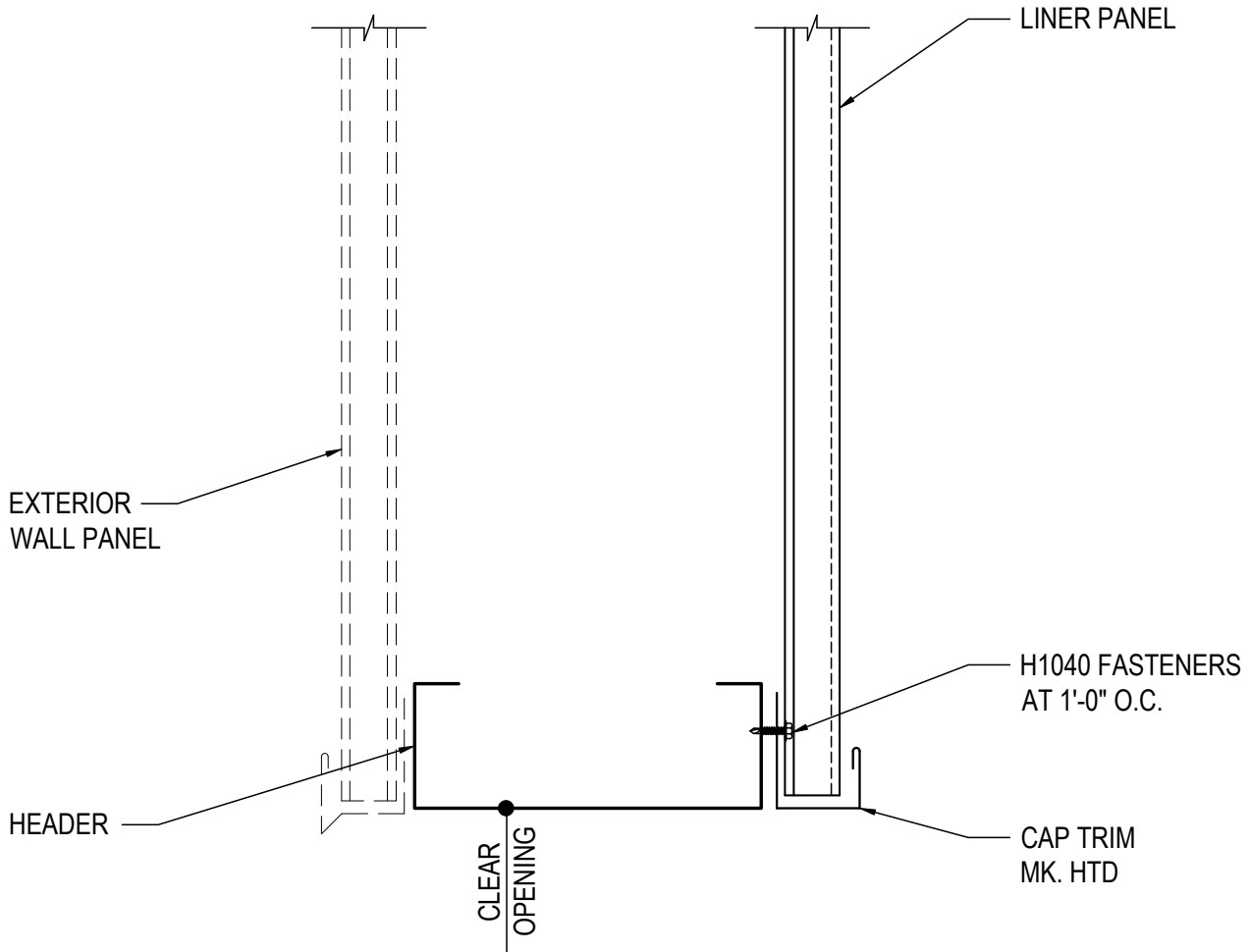
IG0085

Detailer Notes:

- 1) USE THIS DETAIL FOR ROLL UP DOORS ONLY. USE DETAILS IG0080 - IG0084 FOR VERTICAL LIFT AND OVERHEAD DOORS
- 2) VERIFY JAMB TRIM SPANS TO HEADER TRIM (HTD).

IG0090 - LINER HEAD DETAIL - WALKDOOR AND WINDOW FRAMED OPENING

[Download the DWG file by clicking here.](#)



LINER HEAD DETAIL

ALL STANDARD PANEL TYPES
FOR WALKDOOR AND WINDOW FRAMED OPENINGS

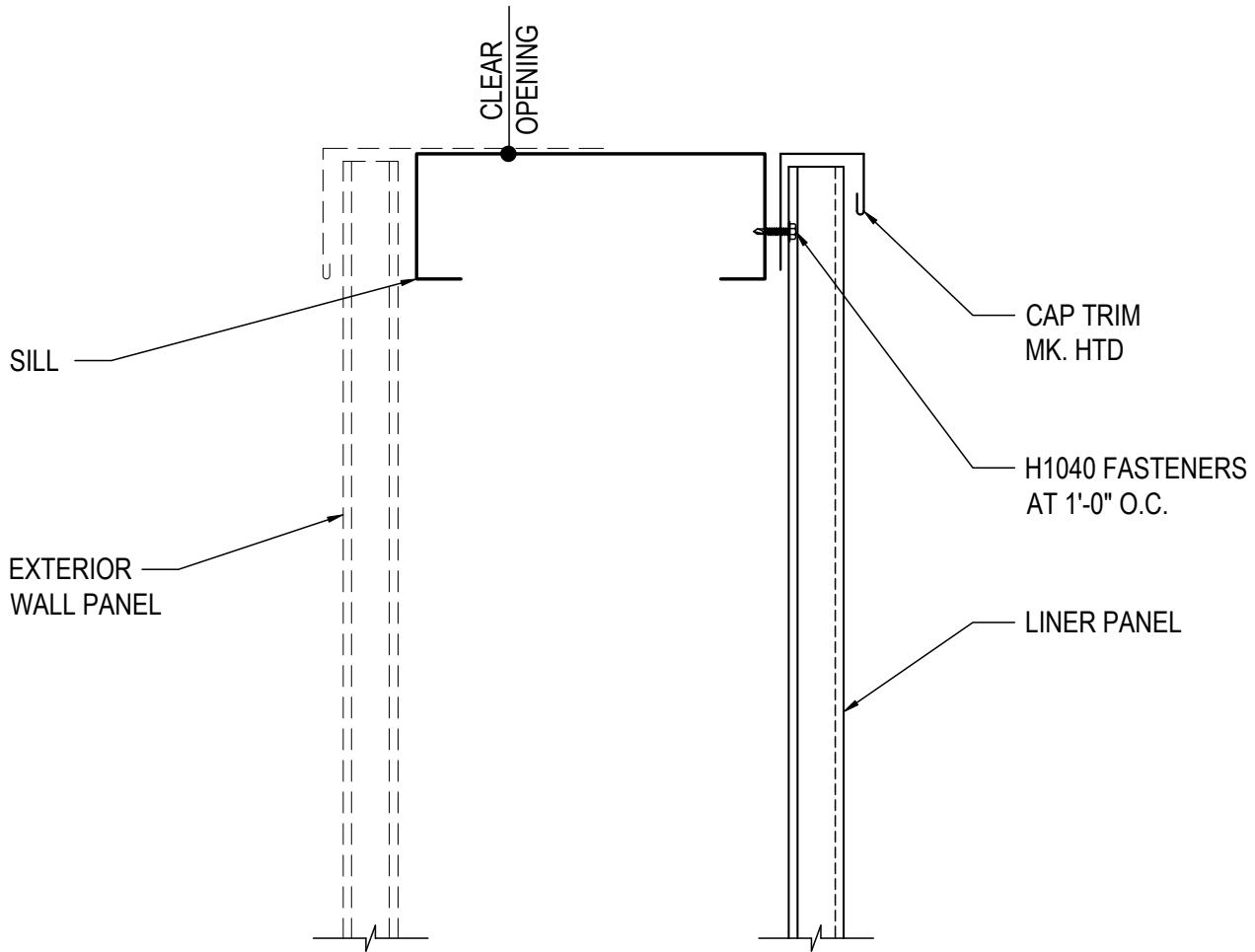
IG0090

Detailer Notes:

- 1) N/A

IG0100 - LINER SILL DETAIL - WINDOW FRAMED OPENING

[Download the DWG file by clicking here.](#)



LINER SILL DETAIL

ALL STANDARD PANEL TYPES
FOR WINDOW FRAMED OPENINGS

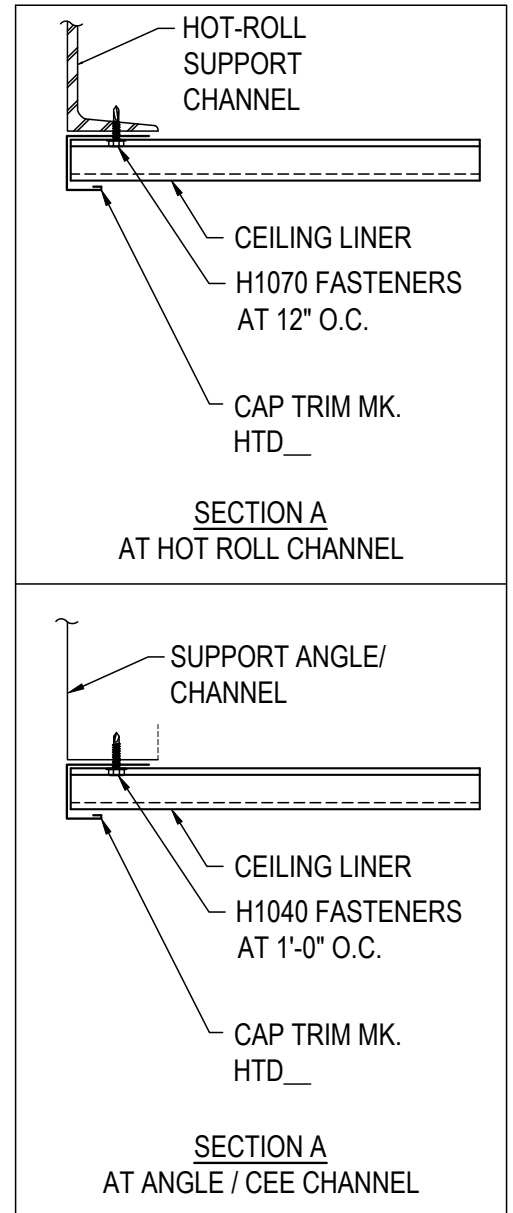
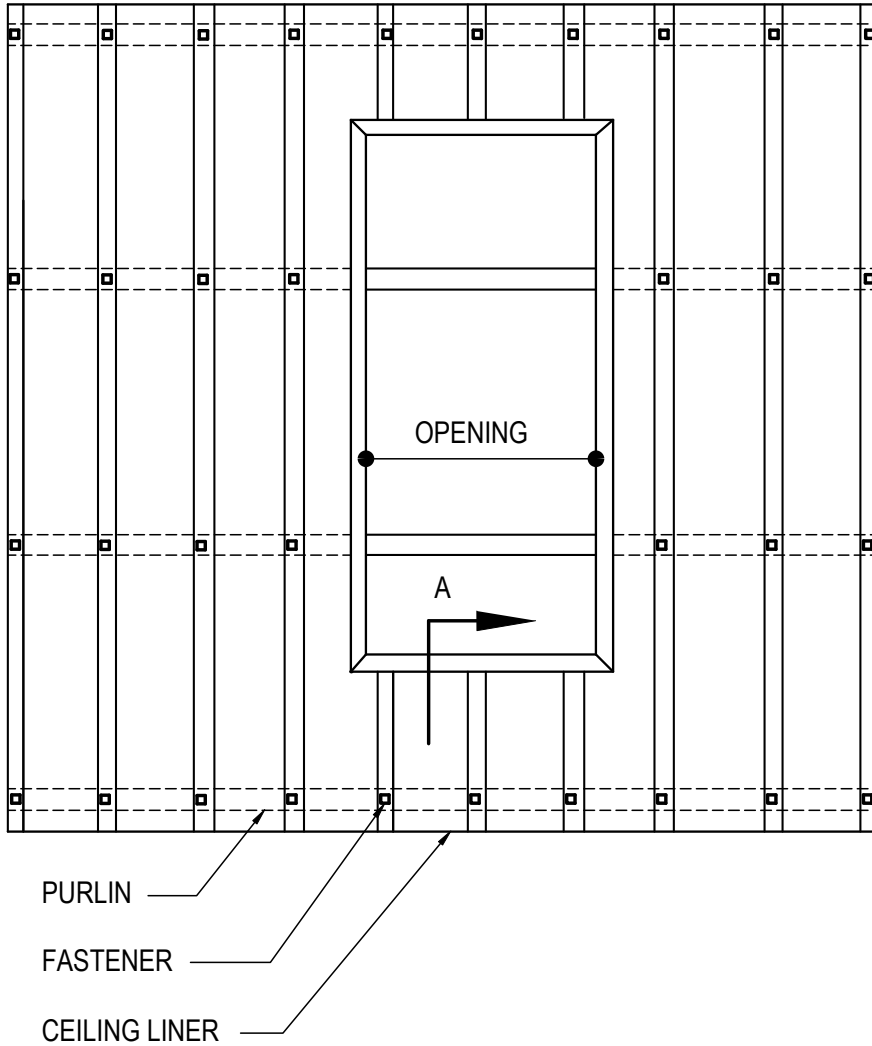
IG0100

Detailer Notes:

- 1) N/A

IG0120 - LINER ROOF FRAMED OPENING

[Download the DWG file by clicking here.](#)



LINER ROOF FRAMED OPENING DETAIL

ALL STANDARD PANEL TYPES
FOR ROOF FRAMED OPENINGS

IG0120

Detailer Notes:

1) N/A